

# VECTOR T1 HANDLE



Flush T-handle with a 4 mm compression stroke, in zinc or stainless version. Bolts are moulded into the dish for mounting with nuts on the inside. The Vector T-handle features two independent locking systems: key-locking cylinder and retractable padlock loop (Ø 8 mm) which prevents the handle being lifted or turned. Handle rotation 90° right, 90° left or 180°. Five different cam versions available and the handle is supplied with cylinder dust-cover. Protection degree IP65.

On request the handle can be supplied with a separate, unassembled cylinder. This will simplify handling and enable smooth adaptation to different key combinations for various needs.



## MATERIAL

- Adjustable cam:** Zinc die cast, passivated
- Body:** Glass fibre reinforced polyamide (PA6GF30)
- Cast-in bolts:** Steel, zinc plated
- Cylinder:** Zinc die cast, stainless steel 304 cap and dust shutter
- Handle:** Zinc die cast, chrome plated, black texture powder coated or stainless steel 304, plain or black texture powder coated
- Fixed cam:** Steel, zinc plated
- Padlock loop:** Stainless steel 304
- Roller:** Glass fibre reinforced polyamide (PA6GF30)
- Shaft:** Steel, zinc plated or stainless steel 303

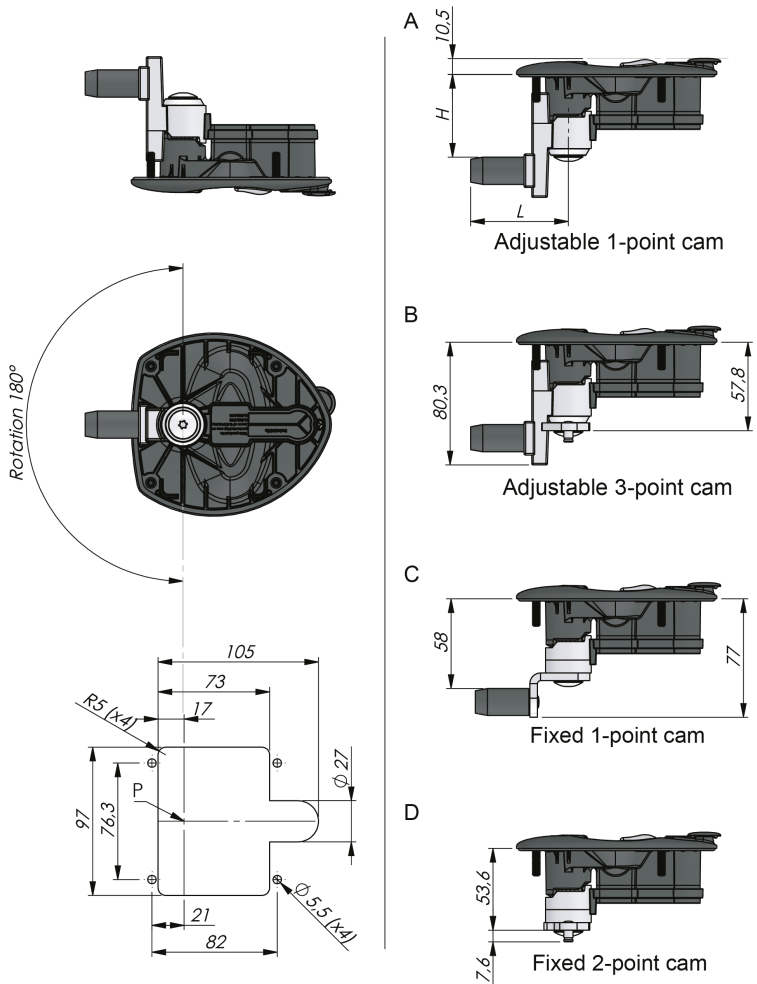
## RELATED PRODUCTS

- Similar products:** 2-800, 2-820, 2-815, 2-811
  - Rods:** 2-540, 2-541, 2-545
  - Rod guides:** 2-560, 2-570
  - Rod adapters:** 2-541
  - Accessories:** 2-412
- Use the Index Code at [industrilas.com](http://industrilas.com)

## TECHNICAL INFORMATION

- Key extraction:** Open / Closed
  - Cylinder information:** Supplied with two keys
- Maximum tightening torque 2,2 Nm.

**Standards:** IP65, DIN EN 61373



**Make your selections in each column to create your article number (AAAAAA-BBCDDDDD)**

AAAAAA	Handle / Shaft	Handle	BB Cylinder	C Opening rotation	DDDDD Cam	H=	L=	Drawing
272063	Zinc / Steel	Black	06 Keyed alike 751	H 90° clockwise	5861 * Fixed roller cam	58	61	C
272363	Zinc / Steel	Chrome		V 90° counter-clockwise	S5400 Two-point cam	-	-	D
273063	SS 304 / 303	Black	52 Keyed to differ	- 180°	S6685 * Fixed three-point roller cam	66	85	Not shown
273963	SS 304 / 303	Plain	68 Keyed alike 805		S Adjustable three-point roller cam	15-60	61	B
			69 Keyed alike 810		S1 Adjustable single point roller cam	15-60	61	A
			70 Keyed alike 815					
			71 Keyed alike 820					
			72 Keyed alike 825					
			73 Keyed alike 830					
			74 Keyed alike 835					
			75 Keyed alike 840					
			76 Keyed alike 845					
			77 Keyed alike 850					
			78 Keyed alike 455					

\* Other dimensions on request.